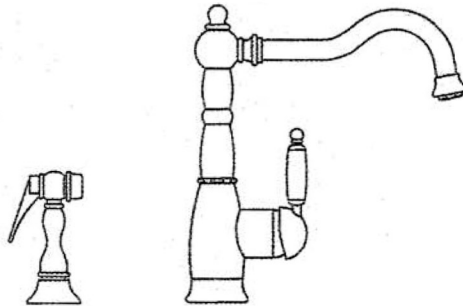


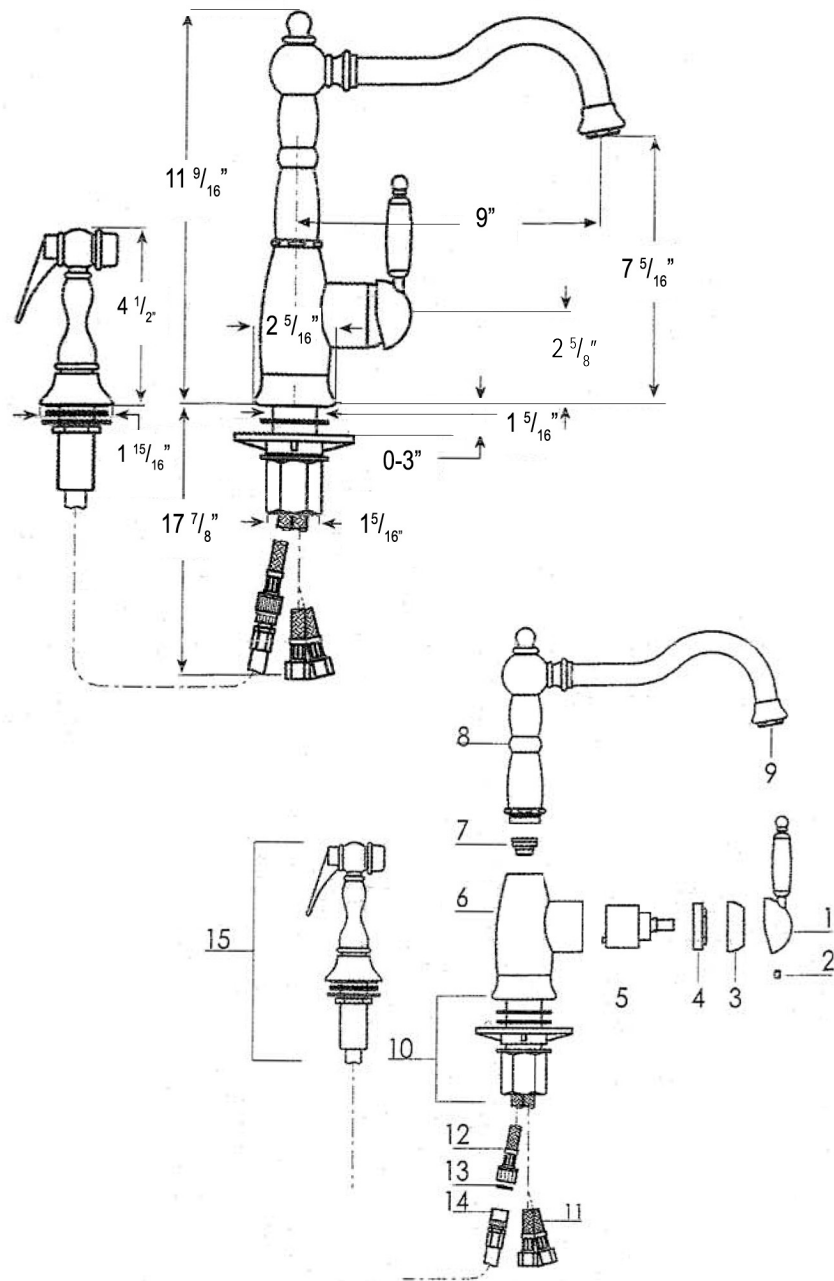


**WHITEHAUS<sup>®</sup>**  
**COLLECTION**  
*A Collection of Fine Products*

**Essexhaus**



3-3185



**PART LIST 3-3185**

1	Lever assy	1-3562
2	Screw	2058
3	Cap	1303
4	Nut	1304
5	Cartridge	2809
6	Body assy	1-3551
7	Diverfer	2453
8	Spout assy	1-3564
9	Aerator Set	1-676
10	Mounting nut assy	1-2359
11	Hose	2350
12	Supply tube	2360
13	Fiber	13.7x10x1.5
14	Hose assy	2775
15	Side spray	1-3170

### 3-3185 FAUCET INSTALLATION

- 1 Remove lock nut, metal washer and one rubber washer. A second rubber washer or O-ring, depending on the model, will remain on the faucet.
- 2 Insert faucet body into sink.
- 3 Remount rubber washer and metal washer to faucet shank under sink. Remount lock nut to shank and hand-tighten.  
**Note:** Lock nut has provisions for various deck thicknesses. For standard thickness, apply lock nut with unthreaded portion first.
- 4 Rotate the body to the left and right. Be sure the faucet is aligned properly. Make final tightening of lock nut.
- 5 Connect the supply hoses to the hot and cold water supply valves. Be sure to hold the supply hoses in place when tightening the nut so as not to twist the hoses.
- 6 Confirm that faucet operating handle is in closed position and open supply valves. Check connections for leakage.

## TECHNICAL DATA

- 1 Flow pressure
  - min. 15 PSI (1.0 bar)
  - recommended 75 PSI (5.0 bar)
  - If greater than 5 bar,  
install pressure reducer.
- 2 Operating pressure
  - max. 150 PSI (10.0 bar)
- 3 Test pressure 235 PSI (16.0 bar)
- 4 Temperatures
  - max. (hot water inlet) 175°F (80°C)
  - recommended  
(energy saving) 140°F (60°C)
- 5 Ceramic disc Cartridge
- 6 Water connections
  - hot - left
  - cold - right

### Note:

High pressure differentials between cold and hot water connections must be avoided.

We reserve the right to introduce technical changes without notice.

## MAINTENANCE

**Chrome Faucets:** Use only liquid cleansers or soapy water. Anti-lime or acidic cleansers such as scouring agents or abrasive sponges are to be **Avoided**. Polish with a soft cloth.

**Again, please do not use any abrasive cleansers.**

**Colored and special finish faucets:** Clean only with a cloth and clean water, or a very diluted washing up liquid. Polish as described above for chrome.

**Again, please do not use any abrasive cleansers.**



Whitehaus Collection  
589 Orange Avenue West Haven CT 06516  
Tel. 1-800-527-6690