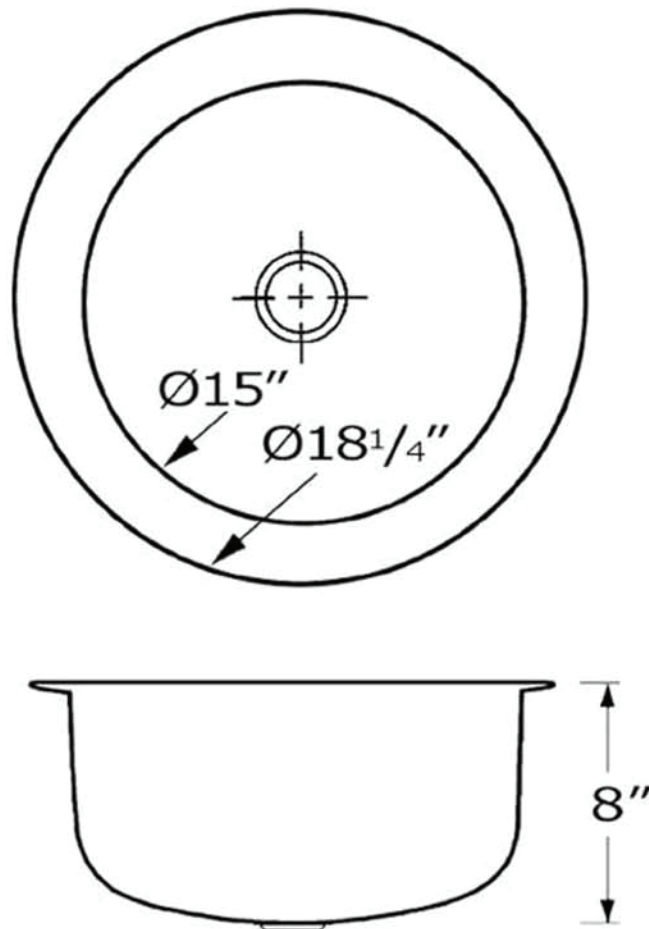




WH1818COPR



Please note that since each Copperhaus sink is handmade, there will be slight variations in color, texture, and size. We recommend the sink to be on-site when ordering or manufacturing cabinets. Adjustments to the cabinet size may be necessary. Even though these sinks are slightly pitched, the water may not drain completely and should be wiped out with a sponge after each use.

LIVE WITH STYLE!