

EAGGO^{USA}

2026 CATALOG



ABOUT THE BRAND /

EAGO USA has been the official US representatives of EAGO Sanitary Ware since 2009 and works directly with Alfi Trade Inc., which is the exclusive distribution center and importer of all EAGO products available to the US market. Our core value aims to provide our customers with the highest quality products with an emphasis on durability and sleek modern appeal. We believe that luxury shouldn't mean breaking the bank, and work closely with our customers to offer the best customer service possible.

EAGO Sanitary Ware, founded in 1996, is a leading manufacturer of building materials in China. With more than 400 concept stores and distribution centers around the world, EAGO has become a worldwide success. The EAGO factory is equipped with state-of-the-art facilities for acrylic tubs and ceramics and covers an area of over 3 million square foot, making EAGO one of the largest sanitary ware manufacturers in China.

With a decade of experience, purchasing EAGO products through EAGO USA gives you peace of mind, knowing that you can contact us anytime with all of your warranty or spare part needs. Specializing in a full range of bathroom products including toilets, air tubs, whirlpool tubs, ceramic sinks, and more. EAGO USA is your one stop shop for all your bathroom decorative plumbing needs.

WARRANTY /

Products are warranted to the original customer to be free from defects in material and workmanship.

Toilets & Bidets come with a 5 year limited warranty on all porcelain parts against fading/staining of the glaze & 1 Year on flushing mechanism & toilet seat. All cracks and chips due to misuse, freight damage, and improper installation; whether performed by a plumber, contractor, service provider, or unqualified person, will void the warranty.

Tubs offer a 1 year limited warranty on all parts.

Porcelain Sinks come with a 5 year limited warranty on all porcelain parts against fading/staining of the glaze. All cracks and chips due to misuse, freight damage, and improper installation; whether performed by a plumber, contractor, service provider, or unqualified person, will void the warranty.

Warranty begins from purchase date on invoice. An invoice must be provided in order to file a warranty claim. If a free replacement is granted under warranty, the warranty time frame continues from the original purchase date, and not from the date of free replacement.

The majority of Replacement Parts for all items are kept in stock in the Los Angeles. There are only rare instances where additional time would be required to get a special part from the factory. In both cases our warranty team in Los Angeles will assist you through out the entire process to insure you get the parts you need.

EAGO products are warranted for normal use only and exclude defect or damage caused by or resulting from misuse, abuse, neglect, scratches, dents, abrasives, chemicals, improper installation/care/maintenance (whether performed by a plumber, contractor, service provider, or unqualified person), or alteration. This warranty does not apply to the replacement of components where damage is caused by normal wear and tear, dirt, lime scale, aggressive air or water conditions, or harsh or abrasive cleaners or materials. If a product is defective, the limit of damage is the cost of the defective material. This warranty is non-transferable. EAGO is not liable for consequential damage, labor, loss, or expense of any nature.

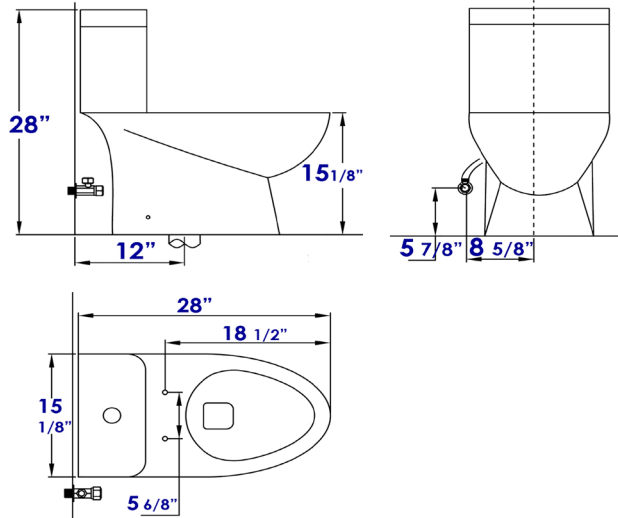


TABLE OF CONTENTS /

Toilets.....	1-4
Wall Mounted Toilet.....	5-6
Toilet Technology.....	7-8
Whirlpool Tubs.....	9-22

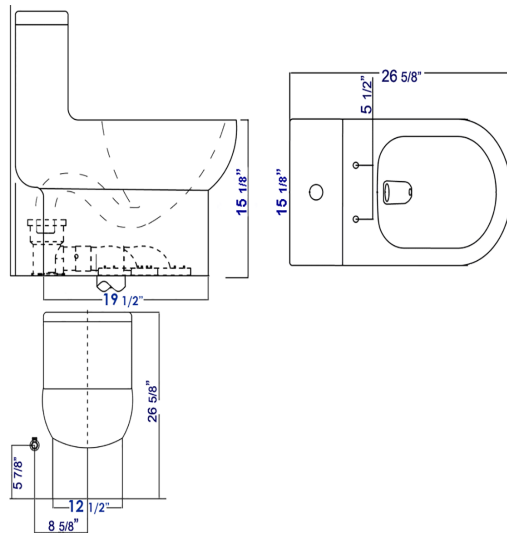
Air Bath.....	23-27
Bathroom Sinks.....	28-32
Toilet Spare Parts.....	33-34

TB346 28" x 15 1/4" x 28"



Dual Flush 1.1/1.6 GPF 86 lbs

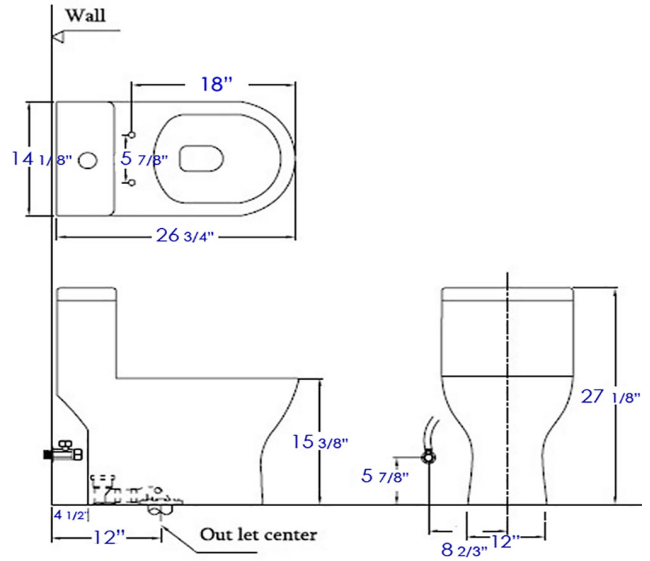
TB351 15 3/4" x 15 1/8" x 26 5/8"



Dual Flush 1.1/1.6 GPF 76 lbs

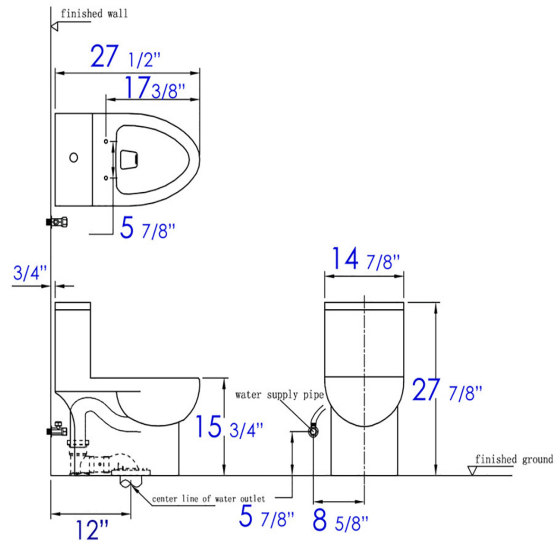
ONE PIECE DUAL FLUSH TOILETS

TB353 26 3/4" x 15" x 27"



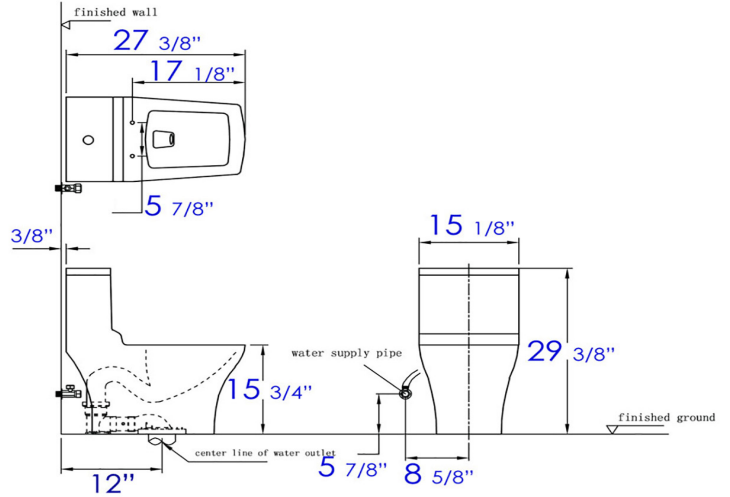
Dual Flush 1.1/1.6 GPF 97 lbs

TB359 28" x 15 1/4" x 26"



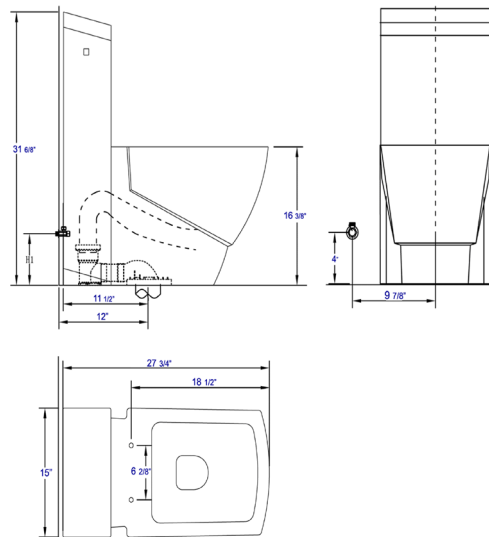
Dual Flush 1.1/1.6 GPF 105 lbs

TB356 30" x 19 3/4" x 22 3/8"



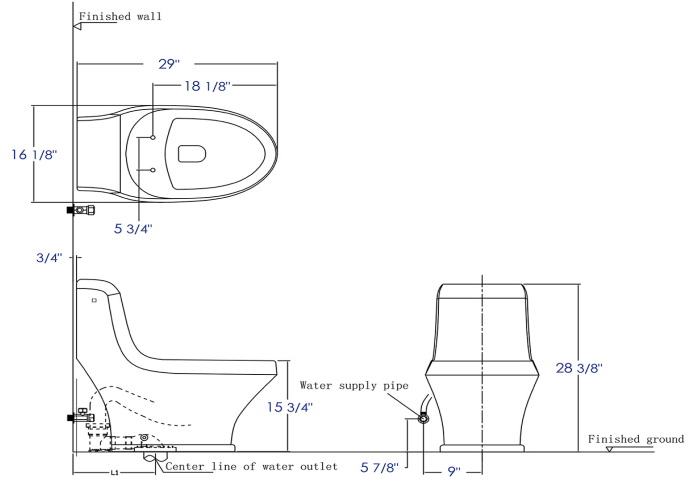
Dual Flush 1.1/1.6 GPF 105 lbs

TB336 27 3/4" x 15" x 16 3/8"



Single Flush 1.28 GPF 122 lbs

TB133 29" x 29 3/8" x 15 3/4"



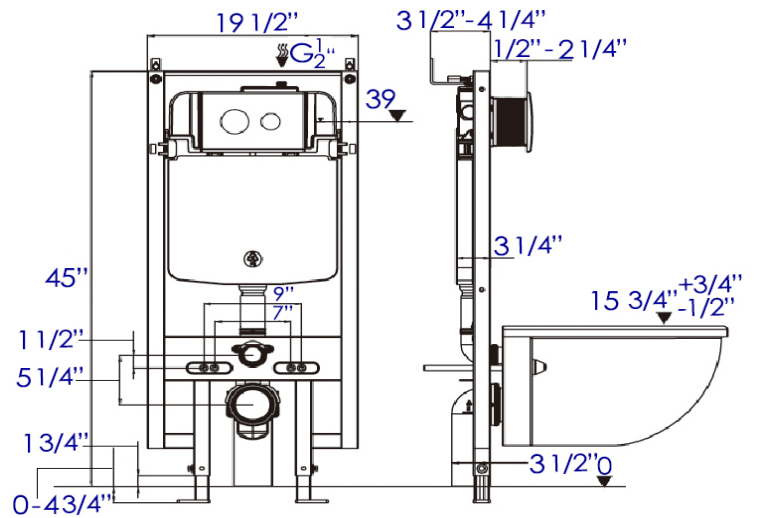
Single Flush 1.28 GPF

107 lbs



PWG380

19 1/2" x 45" x 4 1/4"

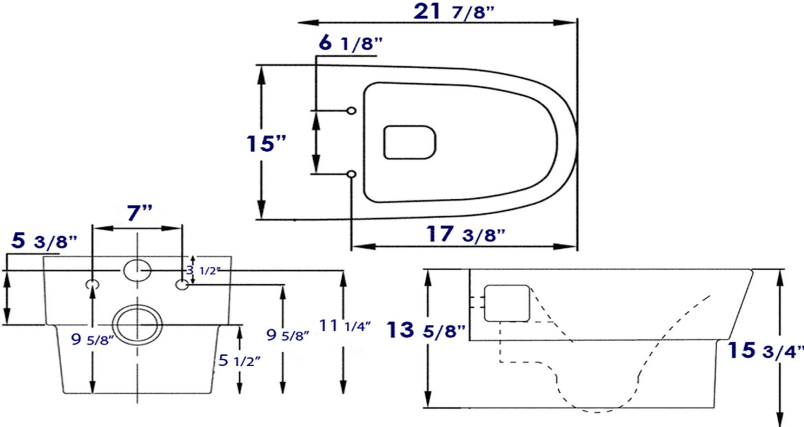


WALL MOUNTED TOILETS

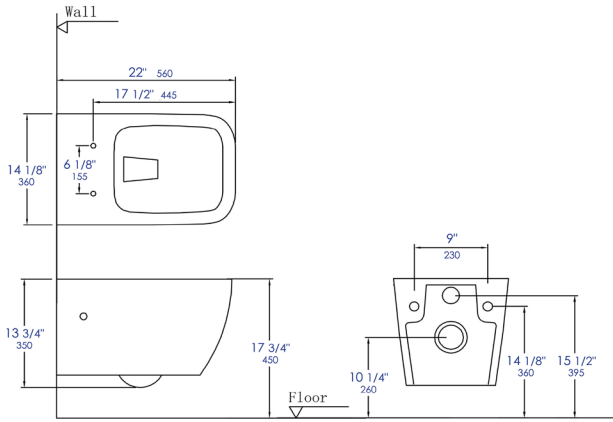
WD332 21 7/8" x 15" x 13 5/8"



45 lbs



WD390 22" x 14 1/8" x 13 3/4"



EAGO Toilet WD332

OUT&OUT

POWERFUL FLUSHING SYSTEM



Dual Flush. So simple yet so genius.
One button for solid waste (1.6 gpf) and one button for liquid waste (0.8 gpf).

Dual Flush Models: TB309, TB222, TB346, TB351, TB353, TB356, TB358, TB359



Slow / Silent Closing Toilet Seat & Lid
The soft drop seat has an innovative hinge system that will gently guide the toilet seat down without a sound.

We are proud to present our most advanced flushing system - Out & Out powerful flushing system. This features a trap way with a diameter of more than 2", complemented by our super powerful jet siphonic flushing function.

↳ *Only one flush!*

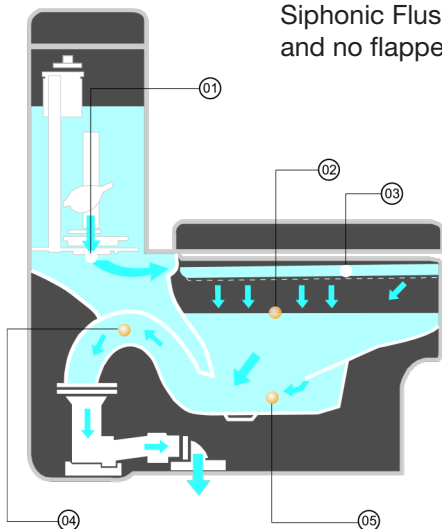
25 pcs of sponge strips (19x29mm)



90 polypropylene balls out of 100!



*Above-mentioned testing tools are standard tools for CSA testing



Siphonic Flush System. New tower based mechanism. There is no chain to snap, and no flapper to partially close, leaving your toilet running.

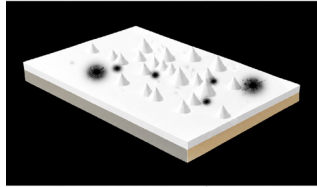
- 01** Powerful and efficient 3" flushing valve. Reduces the number of problems typically associated with older ball-chain-flapper systems.
- 02** Wide water surface. A large surface area keeps odors down and allows for easy cleaning.
- 03** Balanced water distribution. Designed to maintain the optimal balance between an increased diameter and proper exit velocity.
- 04** Large 2" fully glazed trap. Fully glazing the trap way ensures that waste flows smoothly to the exit with a single flush, each time.
- 05** Big jet hole ensures proper flushing every time.

SOPHISTICATED TOILET TECHNOLOGY

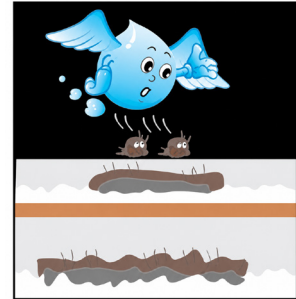
Living the Green Life. These environmentally friendly toilets will save a family of four an average of 10,000 gallons of water per year!

To prevent particles from adhering to the ceramic surface of our porcelain ware, easy-clean glazing is applied. Making use of nanometer technology, a super-smooth surface is created. Compared to conventional glazing, there is an ionized barrier to prevent particles from adhering to ceramic. In fact a catalyzed ion barrier repels particles away so the surface has a super-clean feature and is effortless to clean.

Conventional Glazing



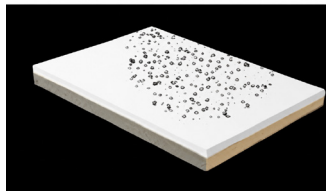
Conventional glazing has a rough surface so it's easy for dirt to be attached.



After use for a long time, bacteria will grow on the surface and it doesn't smell good!

Under a microscope, you can see that the surface is actually not smooth on conventionally glazed porcelain ware, allowing dirt to adhere and remain there. This cannot happen with EAGO glazing

EAGO Easy-Clean Glazing



Easy-cleaning glazing has a smooth surface so it's difficult for dirt to stay there.



No bacteria will accumulate on EAGO easy-clean glazing surfaces, so it doesn't give unpleasant smells even after a prolonged period of use!

In addition to the conventional surface, one layer of easy-cleaning glaze is applied. Under a microscope, you can see that the surface is smooth. It keeps dirty away and is always super clean



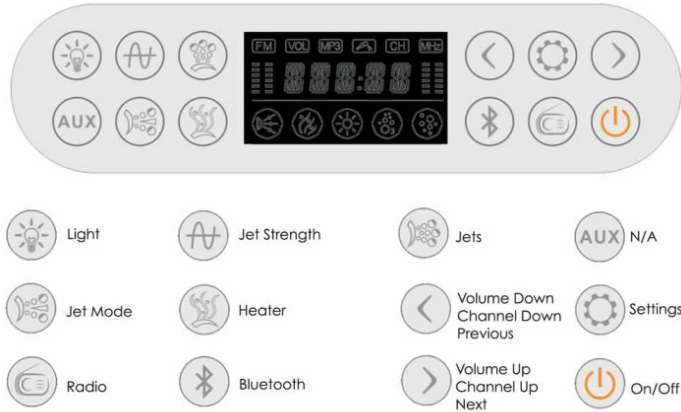
Fully Glazed inside & out. The trap ways of EAGO toilets are perfectly glazed just as they are on the outer surface. Keeping your toilet flushing like new for years.

One Piece Toilet. Enjoy a sleek solid European design. Not only does it look so much better than your old toilet, it also performs significantly better.

All toilet models feature:
One Piece · White Color · Elongated toilet seat · 12" Rough in

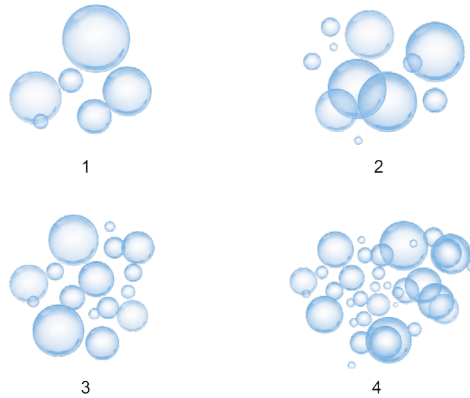
All toilet models include:
Slow / Silent closing toilet seat · Wax ring and all installation requirements.

Control Panel Functions

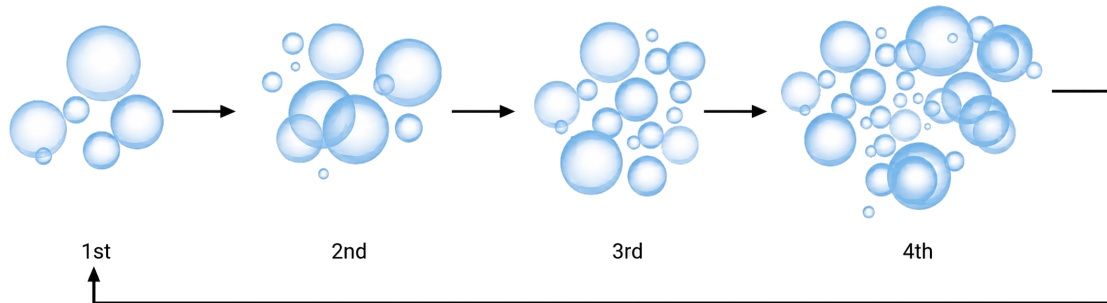


6 type of massage modes (New function for Freewave whirlpool Bathtub)

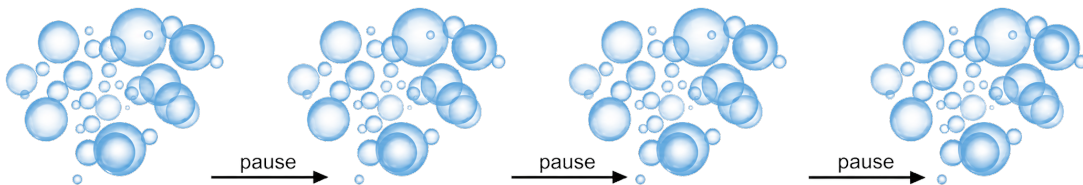
4 different types of massage intensity options



5. Gradual automatic change of massage



6. Impulse massage options



5' SINGLE CORNER WHIRLPOOL BATHTUB



AM154ETL-L5

AM154ETL-R5 AM154ETL-L5

188 LBS

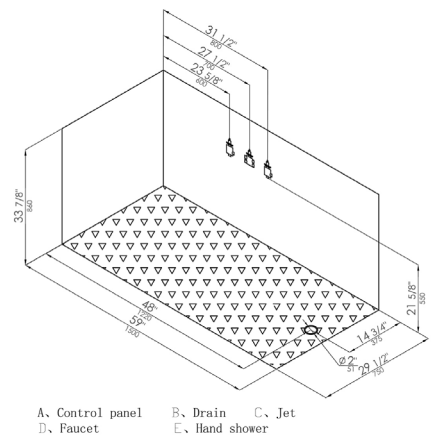
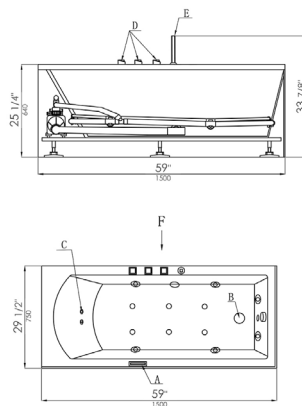
SIZE: 59" x 29 1/2" x 25 1/4"

Features:

- 2 HP water pump
- 4 faucet holes
- Chromatherapy LED lighting system
- MaxLoad™ high gloss acrylic
- Keypad Control Panel
- Includes Inline Heater
- Back flow preventer on the shower heads
- 4 different levels of jet pressure
- Auto protection function for pump

Electric Requirements

- 110-120 Volts, 30 Amps, 3000 Watts,
- 60 Hertz, 1.5 Horsepower



A. Control panel
B. Drain
C. Jet
D. Faucet
E. Hand shower



6' SINGLE CORNER WHIRLPOOL BATHTUB



AM154ETL-L6



AM154ETL-R6 AM154ETL-L6

203 LBS

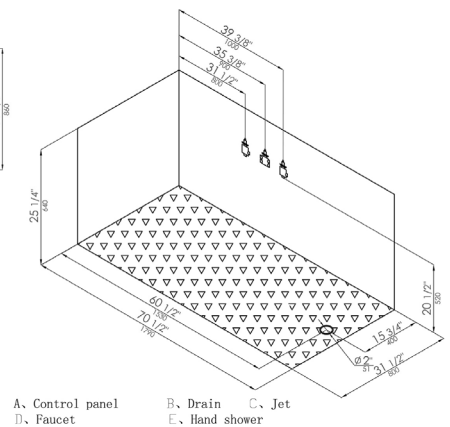
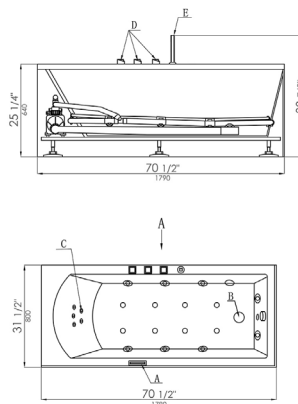
SIZE: 70 1/2" x 31 1/2" x 25 1/4"

Features:

- 2 HP water pump
- 4 faucet holes
- Chromatherapy LED lighting system
- MaxLoad™ high gloss acrylic
- Keypad Control Panel
- Includes Inline Heater
- Back flow preventer on the shower heads
- 4 different levels of jet pressure
- Auto protection function for pump

Electric Requirements

- 110-120 Volts, 30 Amps, 3000 Watts,
- 60 Hertz, 1.5 Horsepower



5' or 6' CLEAR SINGLE WHIRLPOOL BATHTUB



AM152ETL-6

AM152ETL-5 225 LBS
AM152ETL-6 254 LBS

SIZE: 59" x 32 1/4" x 25 5/8"

SIZE: 70 7/8" x 32 1/4" x 25 5/8"

Features:

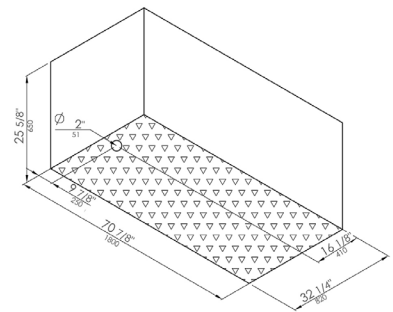
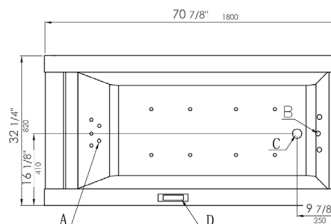
- Tempered glass front panel: 1/4" thick (6mm)
- Keypad Control Panel
- Includes Inline Heater
- 4 different levels of jet pressure
- 60 minutes auto shutdown function
- MaxLoad™ high gloss acrylic
- Chromatherapy LED lighting system

Electric Requirements

- 110-120 Volts, 30 Amps, 2700 Watts, 60 Hertz, 1.2 Horsepower

Electric Requirements

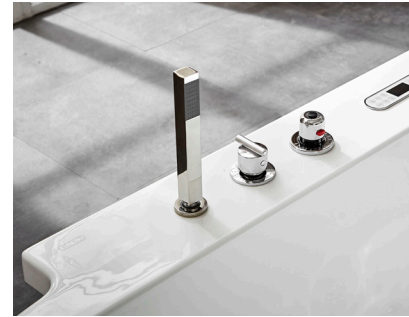
Requires a tub filler, which can be floor mounted or wall mounted if the tub is installed against a wall.



A, Jet B, Light C, Drain D, Control panel



6' FREESTANDING WHIRLPOOL BATHTUB



AM128ETL

166 LBS

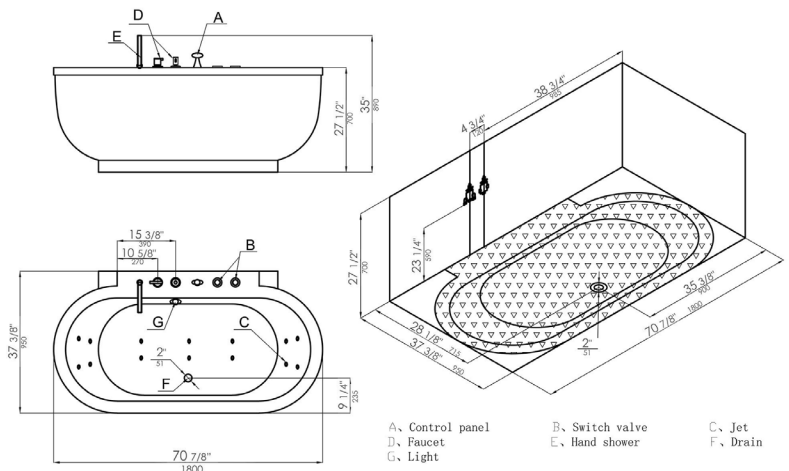
SIZE: 70 7/8" x 37 3/8" x 35"

Features:

- Tempered glass front panel: 1/4" thick (6mm)
- Keypad Control Panel
- Includes Inline Heater
- 4 different levels of jet pressure
- 60 minutes auto shutdown function
- MaxLoad™ high gloss acrylic
- Chromatherapy LED lighting system
- Back flow preventer on the shower heads
- Tub fills itself through the jets!

Electric Requirements

- 110-120 Volts, 30 Amps, 2700 Watts, 60 Hertz, 1.2 Horsepower



5' SINGLE CORNER WHIRLPOOL BATHTUB



AM161-R

AM161-L
AM161-R

132 LBS

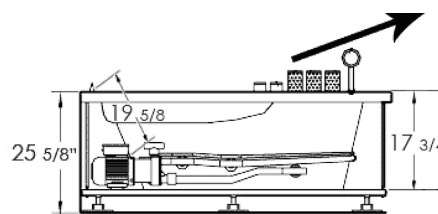
SIZE: 59"x 39 3/8"x 25 5/8"

Configuration:

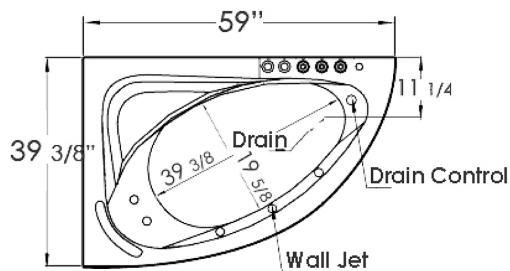
- Chromatherapy
- 1.2HP pump
- 7 side jets
- Water capacity: 45 gallons
- EAGO patent 100% fully drainable system ensuring no water is left in the pipes
- Waste with trap

Electric Requirements

- 13 Amps, 110-120V Volts, 60 Hz, 1.2 HP, 1200 Watts



Labels from left to right:
Air switch on/off for pump
Water strength adjustment for pump
Cold water
Hot water
Diverter
Hand held shower head.



6' SINGLE CORNER WHIRLPOOL BATHTUB



AM189ETL-L



AM189ETL-L AM189ETL-R

147 LBS

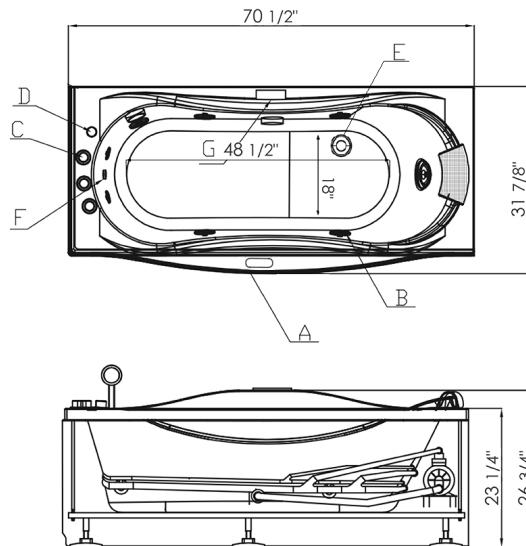
SIZE: 70 1/2" x 31 7/8" x 26 3/4"

Configuration:

- Hydro massage side and back jets
- Manual control
- Waterfall inlet and hand shower
- Chromatic light
- PVC piping system
- Left/right side
- Deodorized waste
- Inline Heater

Electric Requirements

- 30 Amps, 110-120 Volts, 60 Hz, 2HP, 3050 Watts



A. Control Panel B. Jet C. Valve D. Hand Shower
E. Drain F. Light G. Waterfall

5' SINGLE WHIRLPOOL BATHTUB



AM175-L

AM175-L AM175-R

121 LBS

SIZE: 57 1/8" x 29 7/8" x 27 1/2"

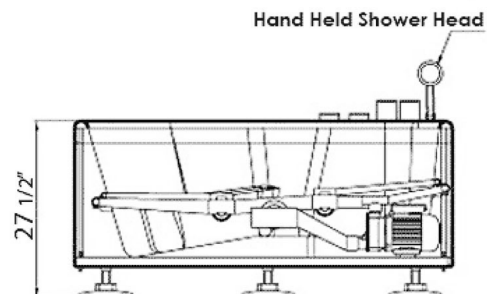
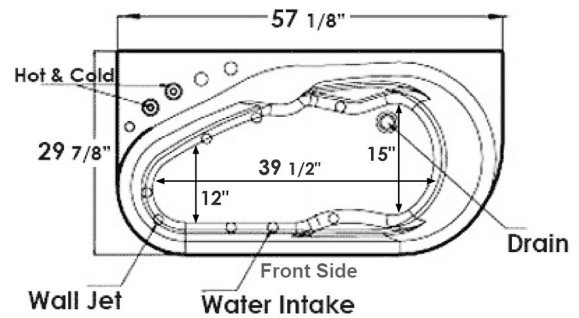
Configuration:

- Rated Power: 1.2HP
- Water Capacity: 42 gallons
- 7 side hydro-massage jets, 2 back hydro-massage jets

Character: The special arc-shaped bottom makes the sitting space become bigger; designed according to the human body, makes you feel very comfortable when you lie down in it

Electric Requirements

- 13 Amps, 110-120 Volts, 60 Hz, 1.2HP, 1200 Watts



6' DOUBLE CLEAR WHIRLPOOL BATHTUB



AM196ETL

AM196ETL

201 LBS

SIZE: 70 7/8" x 35 3/8" x 24 3/4"

Configuration:

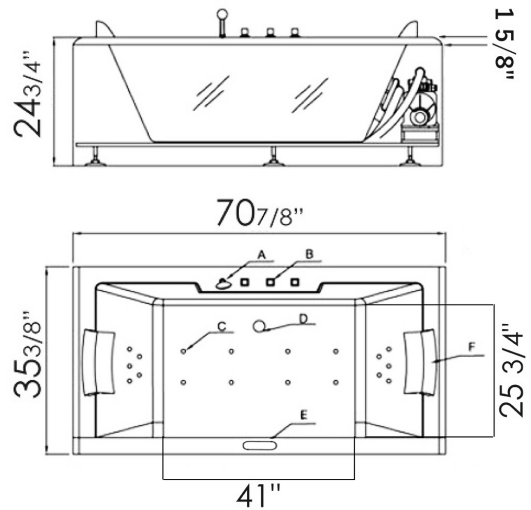
- 2 HP water pump
- 20 jets
- Hand shower head
- Leakproof shower holder
- Deodorized trap
- TS touch control panel contains FM radio, chromatic light, impulse type massage adjustment function

Features:

- Massage bathtub for 2 persons
- Seamless connection technology
- Water Capacity: 95 gallon
- Inline Heater

Electric Requirements

- 30 Amps, 110-120 Volts, 60 Hz, 2HP, 3050 Watts



A. Shower Head B. Valve C. Nozzle D. Drain E. Control Panel F. Pillow



5' CLEAR CORNER WHIRLPOOL BATHTUB



AM198ETL-L

AM198ETL-L
AM198ETL-R

161 LBS

SIZE: 59 1/8" x 39 3/8" x 23 5/8"

Configuration:

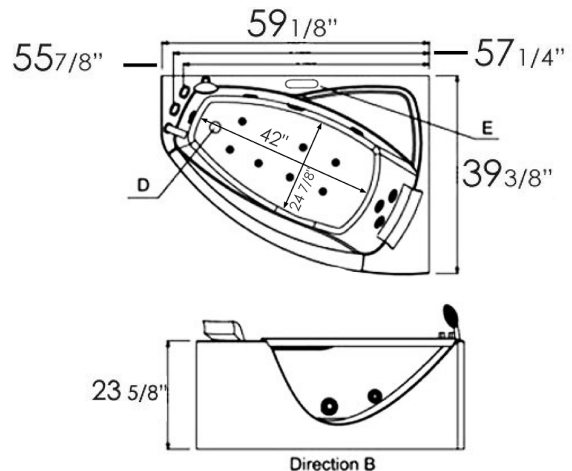
- 1.2 HP water pump
- 6 jets
- 8 bubbles light jet
- Five-level hand shower head
- Leakproof shower holder
- Deodorized trap
- Liquid crystal touch control panel
- FM radio
- MP3(USB)
- Solid brass fixtures
- Water Capacity: 69 gallon
- Inline Heater

Features:

Tub is stronger and firmer. It will not produce a squeaking sound through gravity or from friction between the tub and skirt panel. Controllable 180 flat swing function can open and close water outlet separately. Jet with chromatic light is optional. There is an on/off swing massage button on computer panel

Electric Requirements

- 15 Amps, 110-120 Volts, 60 Hz, 1.2HP, 1450 Watts



A. Shower Head B. Valve C. Pillow D. Drain E. Control Panel



5' CLEAR CORNER DOUBLE WHIRLPOOL BATHTUB



AM156ETL

214 LBS

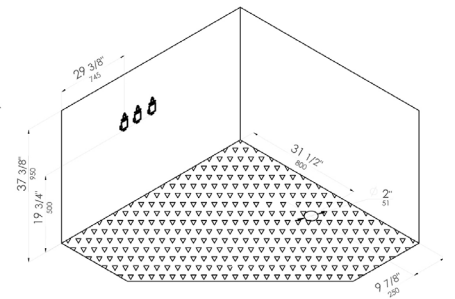
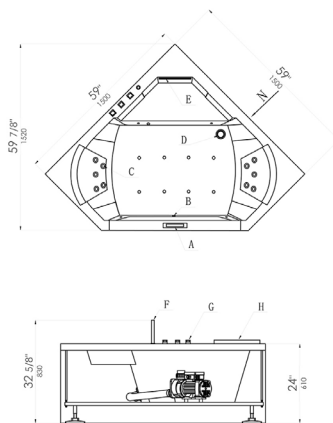
SIZE: 59" x 59" x 24"

Features:

- Tempered glass front panel: 1/4" thick (6mm)
- Keypad Control Panel
- Includes Inline Heater
- 4 different levels of jet pressure
- 60 minutes auto shutdown function
- MaxLoad high gloss acrylic
- Chromatherapy LED lighting system
- Back flow preventer on the shower heads
- Tub fills itself through the jets!

Electric Requirements

- 110-120 Volts, 30 Amps, 3000 Watts,
- 60 Hertz, 1.5 Horsepower



A. Control panel B. Light C. Jet D. Drain
E. Waterfall F. Hand shower G. Faucet H. Pillow



5' DOUBLE CLEAR WHIRLPOOL BATHTUB



AM197ETL

203 LBS

SIZE: 59 1/8" x 59 1/8" x 23 5/8"

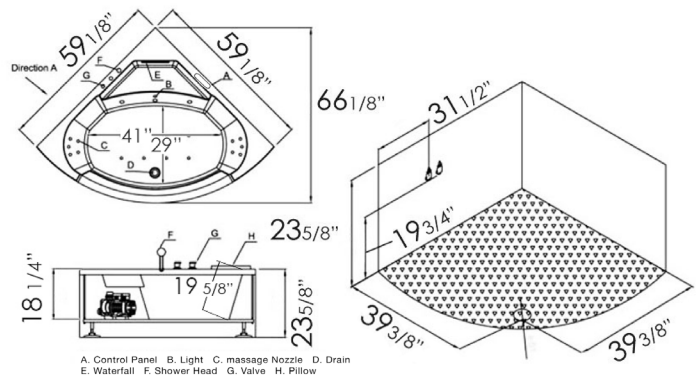
Configuration:

- 1.5 HP water pump
- 20 jets
- Chromatic bubbles light
- Five-level hand shower head
- Leakproof shower holder
- Deodorized trap
- TS touch control panel contains FM radio, chromatic light, impulse type massage adjustment function
- Solid brass fixtures
- Water Capacity: 105 gallon
- Inline Heater

Features:

Integrated technology for one-sheet material. Difficult to leave dirt, easy to clean.

Tub is stronger and firmer. It will not produce a squeaking sound through gravity or from friction between the tub and skirt panel.



A. Control Panel B. Light C. massage Nozzle D. Drain E. Waterfall F. ShowerHead G. Valve H. Pillow

Electric Requirements

- 17 Amps, 110-120 Volts, 60 Hz, 1.5HP, 1550 Watts



6' DOUBLE WHIRLPOOL BATHTUB



AM124ETL-L

AM124ETL-L AM124ETL-R

225 LBS

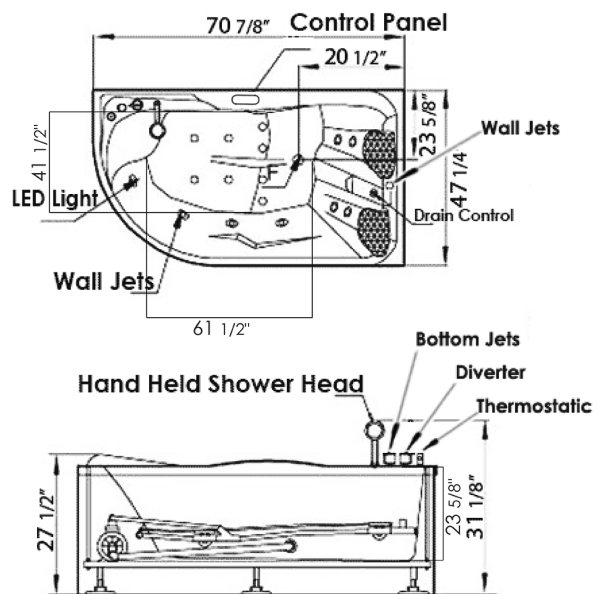
SIZE: 70 7/8" x 47 1/4" x 27 1/2"

Configuration:

- 2 HP pump
- 17 jets
- Sydney whirlpool system, promotes good health and increases blood circulation
- Sensational bottom hydro-massage system
- Water capacity: 114 gallons
- Thermostatic faucet with a stopper at 100 Fahrenheit
- FM radio
- Chromatherapy
- Unique double drain system (patent design)
- The pump is equipped with auto protection function. This means that if there is not enough water in the whirlpool bathtub, the pump cannot be started
- 60 minutes auto shutdown function
- Removable front panel

Electric Requirements

- 30 Amps, 110-120 Volts, 60 Hz, 2 HP, 3050 Watts



5' DOUBLE CORNER WHIRLPOOL BATHTUB



AM200

161 LBS

SIZE: 59 1/8" x 59 1/8" x 24 3/8"

Configuration:

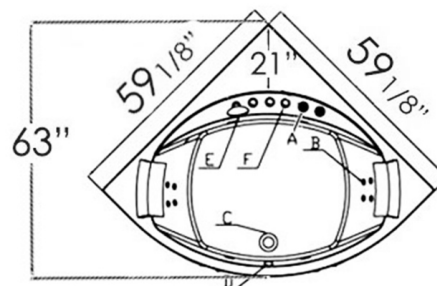
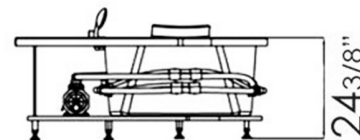
- 1.2 HP water pump
- 12 jets
- Hand shower head
- Leakproof shower holder
- Deodorized trap
- Water Capacity: 71 gallon

Features:

- Pneumatic switch
- Dismountable skirt panel

Electric Requirements

- 13 Amps, 110-120 Volts, 60 Hz, 1.2 HP, 1250 Watts



A air switch B massage nozzle C drain
D.light E. shower head F. valve



EAGO's line of air bubble bath tubs includes four visually stunning models to choose from. All are free standing and made of high quality acrylic. Featuring a high power air blower with hundreds of air holes surrounding the bottom of the tub. This creates an exciting and relaxing bathing experience like no other.

Concealed Touch Control Panel



Sleak newly designed control panel sits flush on the tub

Air Bubble Massage



Integrated design air belt produces strong and consistant air pressure. Surround yourself with soothing air bubbles rising from all directions.

LED Multi Color Chromo Therapy



FREESTANDING AIR BATHTUB



AM2130

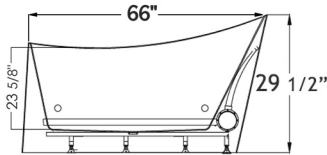
159 LBS

SIZE: 66" x 66" x 29 1/2"

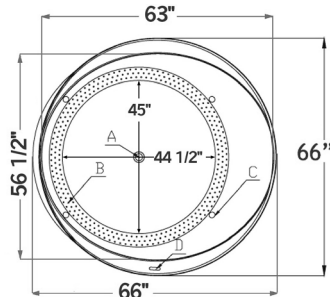
- Free standing round bath tub
- Concealed touch control panel
- Air bubble massage
- LED multi color Chromotherapy
- Water Capacity 90 gallons

Electric Requirements

- 5 Amps, 110-120 Volts, 60 Hz, 0.53 HP, 450 Watts



A: Drain
B: Air Holes
C: LED Light
D: Control Panel





AM2140

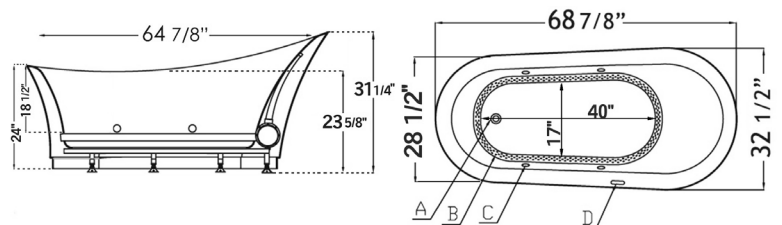
124 LBS

SIZE: 68 7/8" x 32 1/2" x 31 1/4"

- Free Standing bath tub
- Concealed touch control panel
- Air bubble massage
- LED multi color Chromotherapy
- Water Capacity 45 gallons

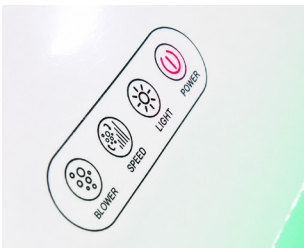
Electric Requirements

- 5 Amps, 110 Volts, 60 Hz, 0.27 HP, 250 Watts



A: Drain B: Air Holes C: LED Lights D: Control Panel

FREESTANDING AIR BATHTUB



AM1800

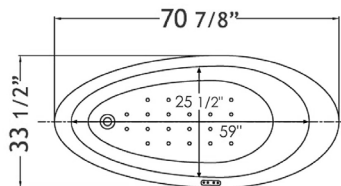
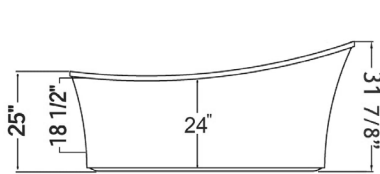
106 LBS

SIZE: 70 7/8" x 33 1/2" x 31 7/8"

- Free Standing bath tub
- Concealed touch control panel
- Air bubble massage
- LED multi color chromotherapy
- Water Capacity 40 gallons

Electric Requirements

- 5 Amps, 110-120 Volts, 60 Hz, 0.27 HP, 250 Watts





AM1900

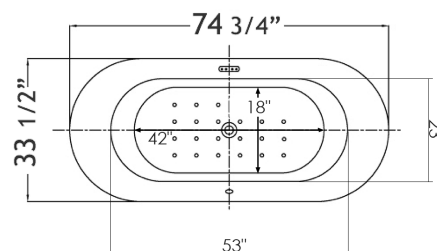
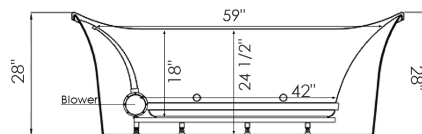
91 LBS

SIZE: 74 3/4" x 33 1/2" x 28"

- Free Standing bath tub
- Concealed touch control panel
- Air bubble massage
- LED multi color Chromotherapy
- Water Capacity 58 gallons

Electric Requirements

- 5 Amps, 110-120 Volts, 60 Hz, 0.27 HP, 250 Watts



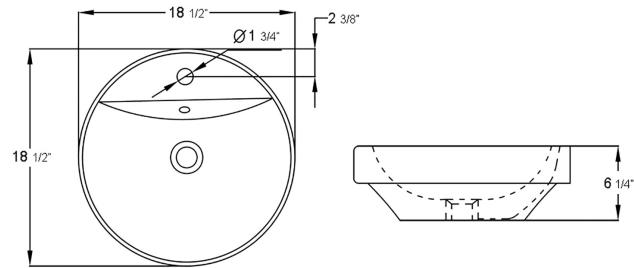


EAGO Sink BA351
ALFI brand Faucet AB1570
ALFI brand niche ABN1212

BA141



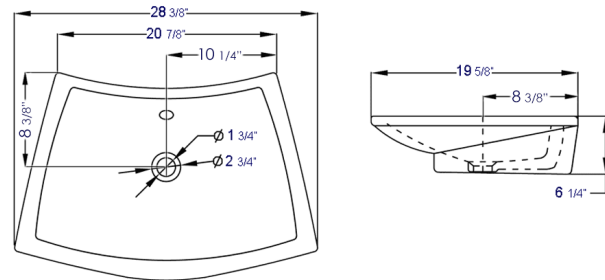
25 LBS



BA142



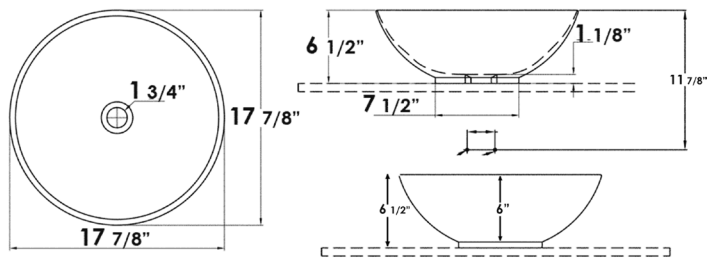
35 LBS



BA351



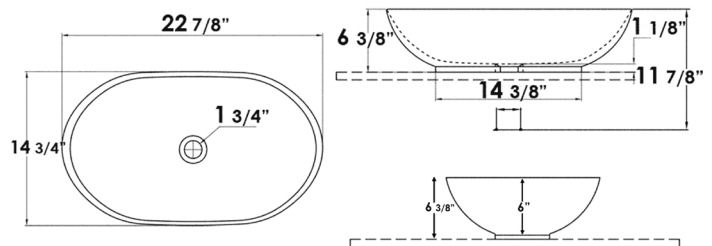
20 LBS



BA352



22 LBS

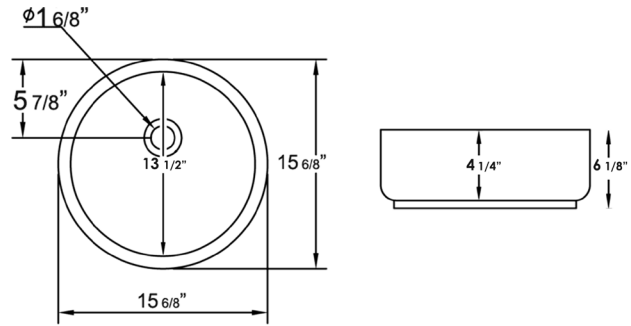


ABOVE MOUNT BATHROOM SINKS

BA129



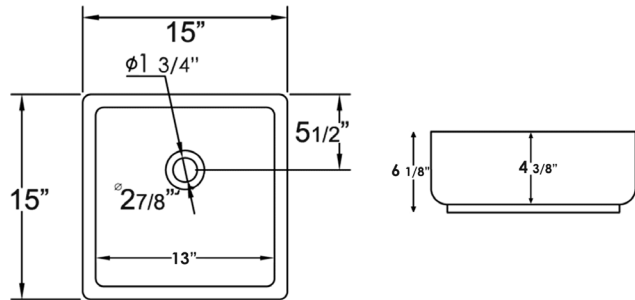
18 LBS



BA130



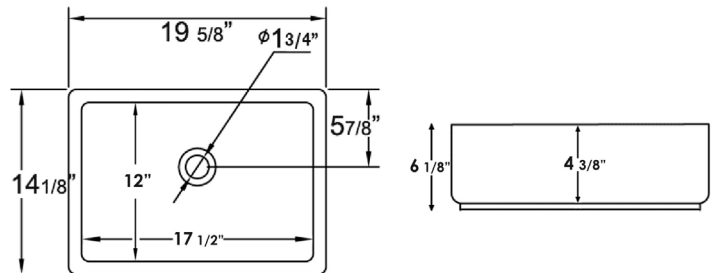
20 LBS



BA131



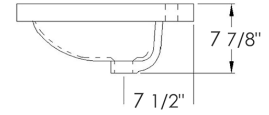
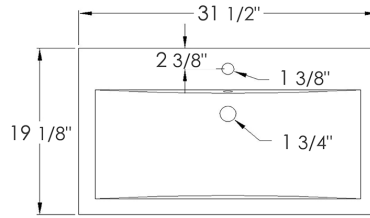
26 LBS



BH001



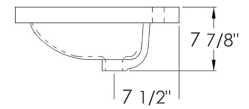
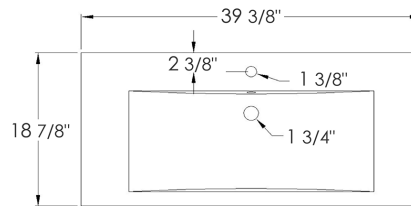
44 LBS



BH002



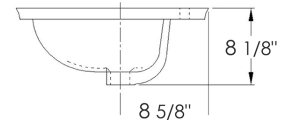
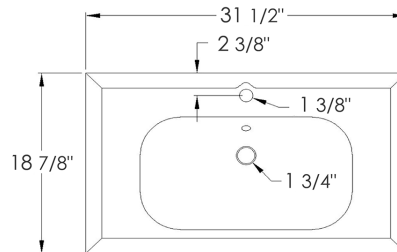
60 LBS



BH003



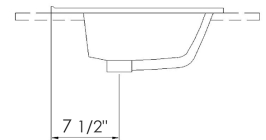
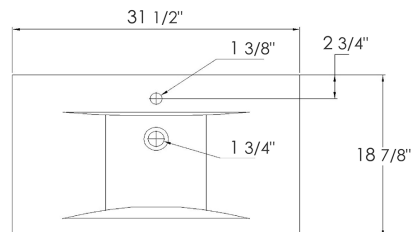
41 LBS



BB127



37 LBS

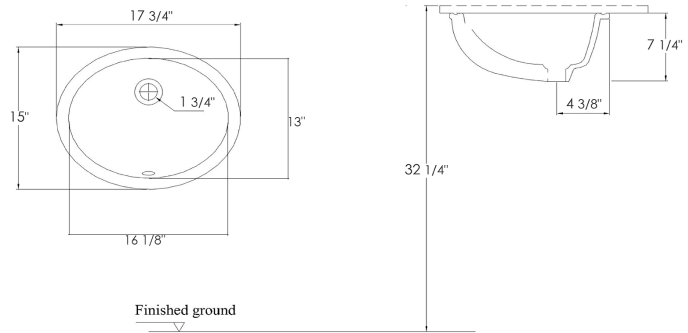


UNDERMOUNT BATHROOM SINKS

BC224



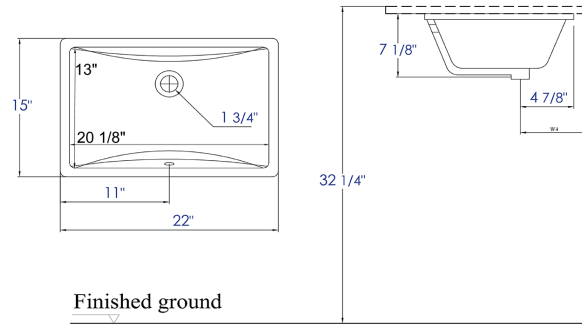
15 LBS



BC227



21 LBS



EAGO Sink BC227
ALFI brand Faucet AB1572
ALFI brand Drain AB9056



R-108SEAT
Soft Closing Toilet Seat for TB108



R-133SEAT
Soft Closing Toilet Seat for TB133



R-309SEAT
Soft Closing Toilet Seat for TB309



R-326SEAT
Soft Closing Toilet Seat for TB326



R-332SEAT
Soft Closing Toilet Seat for WD332



R-333SEAT
Soft Closing Toilet Seat for WD333



R-336SEAT
Soft Closing Toilet Seat for TB336



R-340SEAT
Soft Closing Toilet Seat for TB340



R-346SEAT
Soft Closing Toilet Seat for TB346



R-351SEAT
Soft Closing Toilet Seat for TB351



R-352SEAT
Soft Closing Toilet Seat for TB352



R-353SEAT
Soft Closing Toilet Seat for TB353



R-356SEAT
Soft Closing Toilet Seat for TB356



R-358SEAT
Soft Closing Toilet Seat for TB358



R-359SEAT
Soft Closing Toilet Seat for TB359



R-364SEAT
Soft Closing Toilet Seat for TB364



R-377SEAT
Soft Closing Toilet Seat for TB377



R-326TRAP
PVC Toilet Trap for TB326



R-352TRAP
PVC Toilet Trap for TB352



R-356TRAP
PVC Toilet Trap for TB356



R-888TRAP
PVC Toilet Trap for TB222 / TB309 / TB340 / TB133 / TB346 / TB359



R-999TRAP
PVC Toilet Trap for TB336 / TB358 / TB351 / TB353



R-108LID
Ceramic Toilet Lid for TB108



R-133LID
Ceramic Toilet Lid for TB133



R-309LID
Ceramic Toilet Lid for TB309



R-326LID
Ceramic Toilet Lid for TB326



R-336LID
Ceramic Toilet Lid for TB336



R-346LID
Ceramic Toilet Lid for TB346



R-351LID
Ceramic Toilet Lid for TB351



R-352LID
Ceramic Toilet Lid for TB352



R-353LID
Ceramic Toilet Lid for TB353



R-356LID
Ceramic Toilet Lid for TB356



R-358LID
Ceramic Toilet Lid for TB358



R-359LID
Ceramic Toilet Lid for TB359



R-364LID
Ceramic Toilet Lid for TB364



R-377LID
Ceramic Toilet Lid for TB377



R-108FLUSH
Toilet Flushing Mechanism for TB108



R-133FLUSH
Toilet Flushing Mechanism for TB133



R-309FLUSH
Toilet Flushing Mechanism for TB309



R-326FLUSH
Toilet Flushing Mechanism for TB326



R-336FLUSH
Toilet Flushing Mechanism for TB336



R-340FLUSH
Toilet Flushing Mechanism for TB340



R-346FLUSH
Toilet Flushing Mechanism for TB346



R-351FLUSH
Toilet Flushing Mechanism for TB351



R-352FLUSH
Toilet Flushing Mechanism for TB352



R-353FLUSH
Toilet Flushing Mechanism for TB353



R-356FLUSH
Toilet Flushing Mechanism for TB356



R-358FLUSH
Toilet Flushing Mechanism for TB358



R-359FLUSH
Toilet Flushing Mechanism for TB359



R-364FLUSH
Toilet Flushing Mechanism for TB364



R-377FLUSH
Toilet Flushing Mechanism for TB377



AM128ETL





EAGO^{USA} Beauty & Health facts

- Tone up your skin
- Anti-stress.stretch your muscle
- Boost your metabolism and blood circulation
- Hydrotherapy accelerates the healing of injured or hard exercised muscle tissue.
- Long-term bed patients with circulatory problems benefit most through hydrotherapy stimulating the body cells.



YouTube Check out all of our product videos at www.youtube.com/alfitrade



EAGO USA

Follow Us!
[@alfitradeinc](https://www.instagram.com/alfitradeinc)



EAGOusa.com

Alfi Trade Inc. 4011 W. Jefferson Blvd. Los Angeles, CA 90016
Tel:323-732-4045 Fax:323-732-2815 Toll Free:800-990-ALFI info@alfitrade.com

Featured
on Houzz

